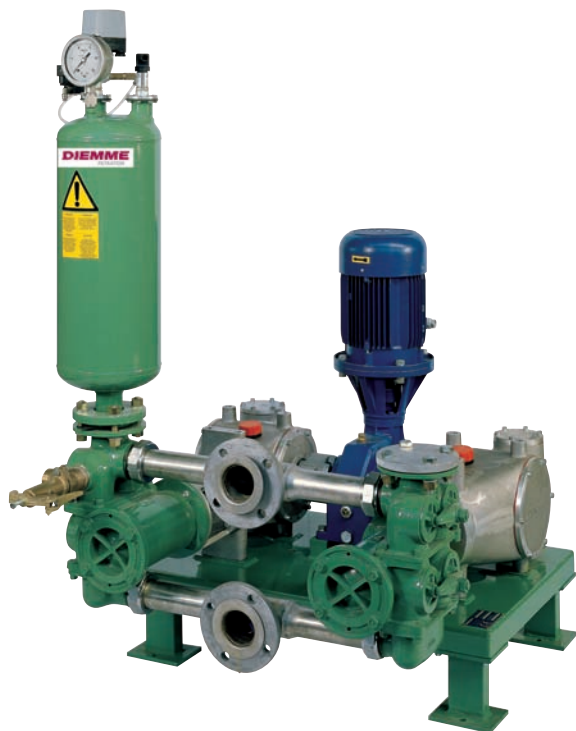


PUMPS

DIEMME FILTRATION

Solutions and Systems

World wide leader in solid-liquid separation
technology for industrial processes



PUMPS

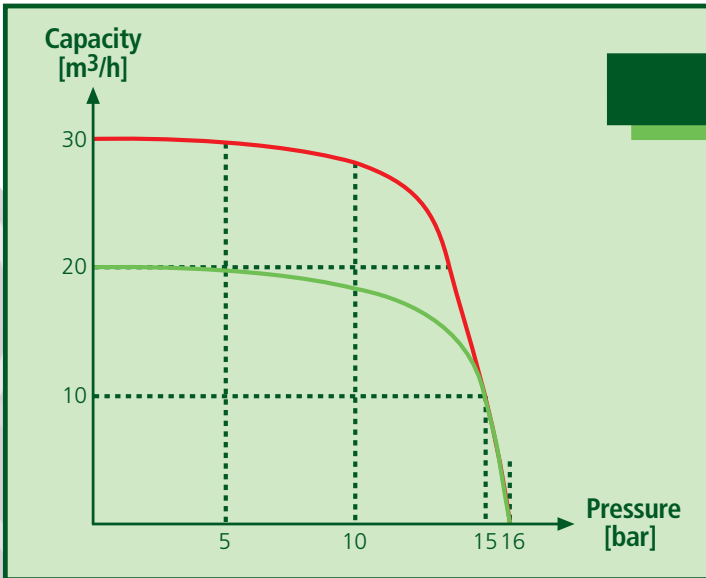
Piston-membrane pumps

DM/PM



Model	Capacity [m ³ /h]	Pressure [bar]	Speed [rpm]	Piston [n°]	Membrane [n°]	Ball valves [n°]	Electric motor [kW]	Speed [rpm]
DMPM-10	0 - 10	0 - 16	43	1	1	2	11	1450
DMPM-15	0 - 15	0 - 16	58	1	1	2	11	1450
DMPM-20	0 - 20	0 - 16	43	1	2	4	15	1450
DMPM-30	0 - 30	0 - 16	58	1	2	4	18,5	1450

CHARACTERISTIC CURVES



DMPM-20 

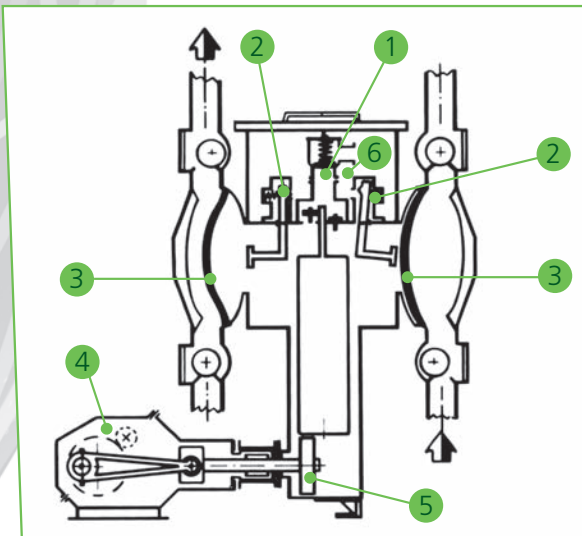
DMPM-30 

Applications specially indicated for:

- Abrasive or corrosive liquids
- Filter-press feed
- Service where either delivery or suction and/or discharge pressure varied
- Heavy duty
- Low noise duty

Sturdy construction:

- "Total Access" for easy inspection and maintenance of any part
- Equipped with pulsation dumpers and instruments
- Sensing electrode for premature detection of membrane leakages (optional)
- Ball valves
- Membrane of suitable to-service material
- Belt and pulley coupling
- Assembled with drive unit on a common frame



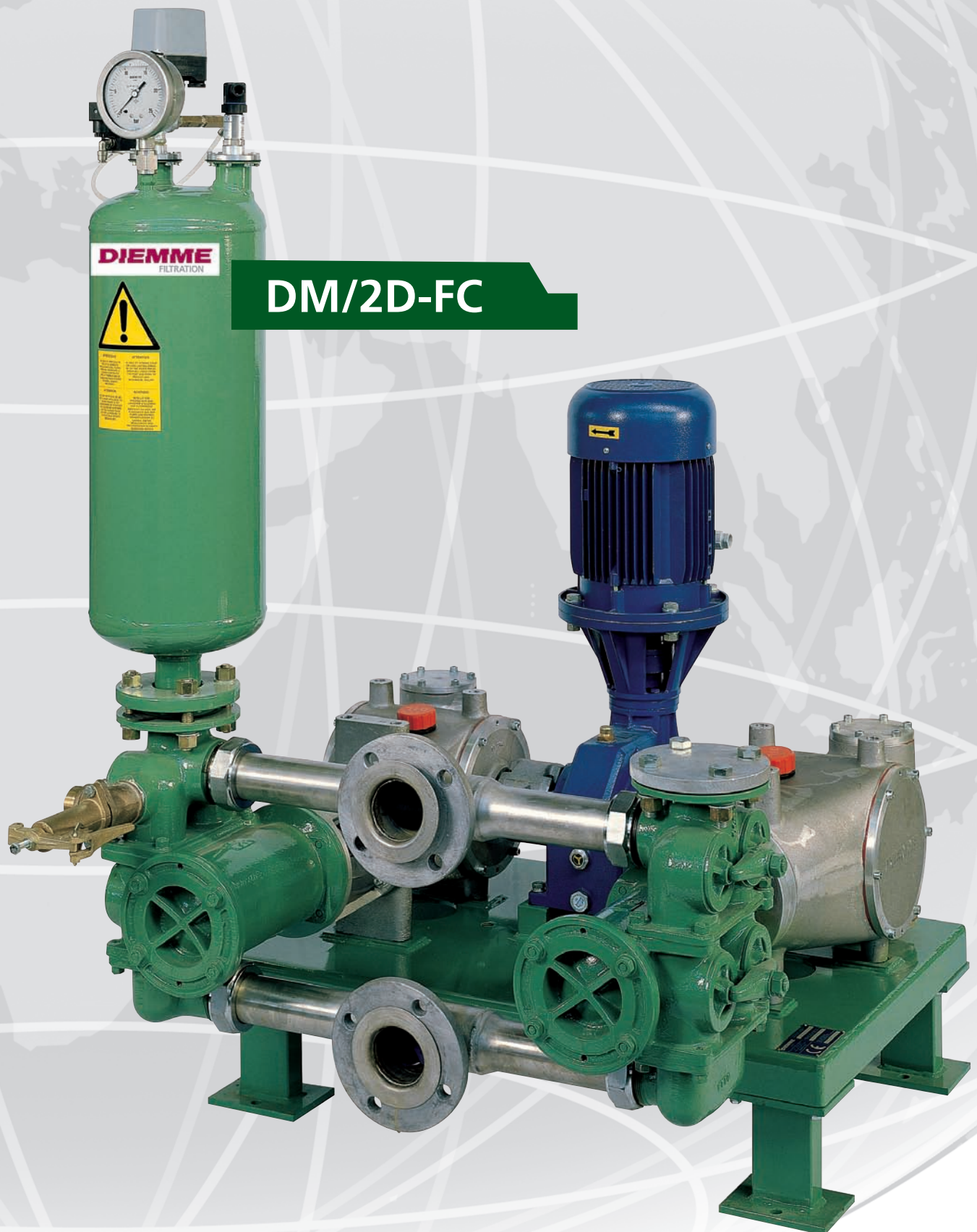
Operating principle

1. Pressure relieve valve
2. Gear box
3. Make up valve
4. Membrane
5. Piston
6. Oil tank

Length [mm]	Width [mm]	Height [mm]	Weight [Kg]	Suction conn.	Discharge conn.
2100	920	2530	1400	PN10, DN100	PN16, DN100
2100	920	2530	1400	PN10, DN100	PN16, DN100
2100	920	2530	1400	PN10, DN100	PN16, DN100
2100	920	2530	1400	PN10, DN100	PN16, DN100

PUMPS

Piston pumps



DM/2D-FC

DM/1D



DM/046-70



DM/1S

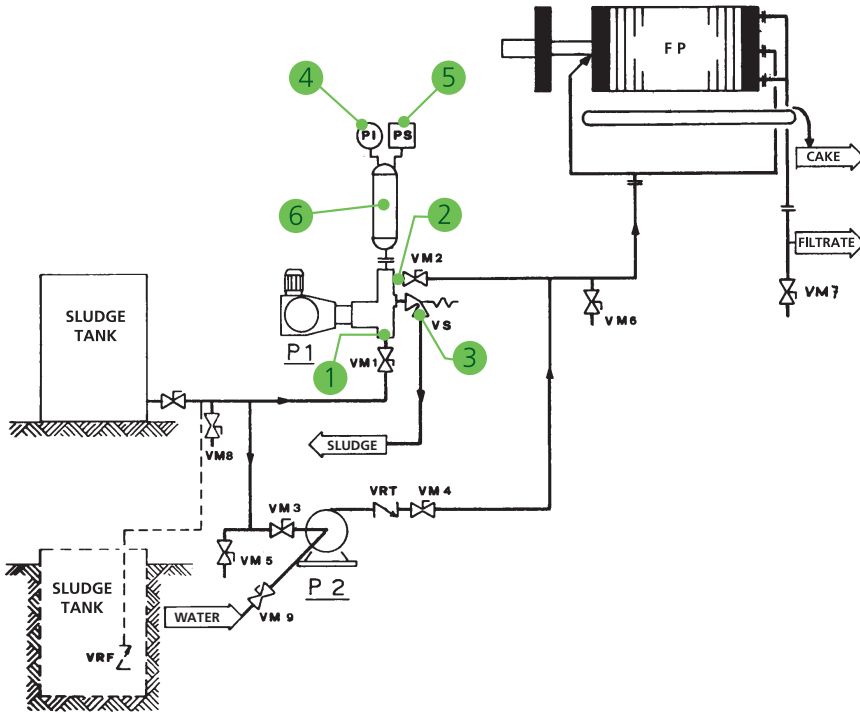


Characteristic:

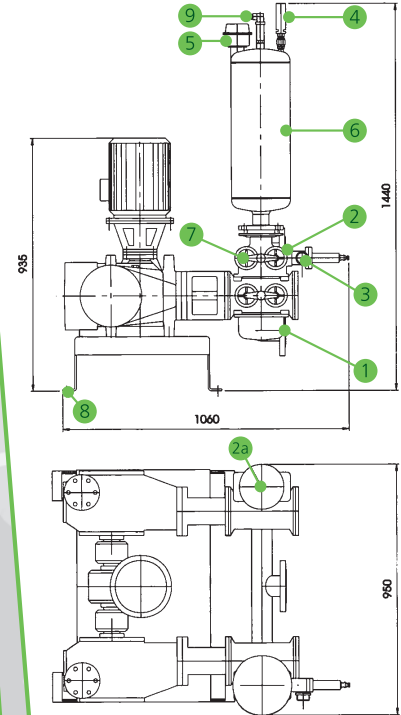
- Range of models of capacity from 1 to 12 m³/h, 12 bar
- Simple design and sturdy construction for continuous heavy duty
- Piston long stroke and low frequency
- Ball valves
- Easy access for simple maintenance service
- Pulsation dampener and pressure relieve valve
- Control instruments for automatic operation
- Special materials on request

PUMPS

Piston pumps: operating principle

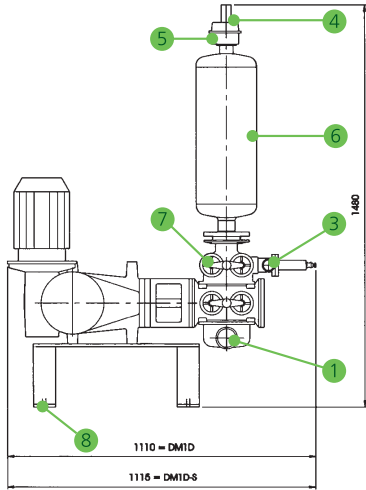


DM/2D-FC

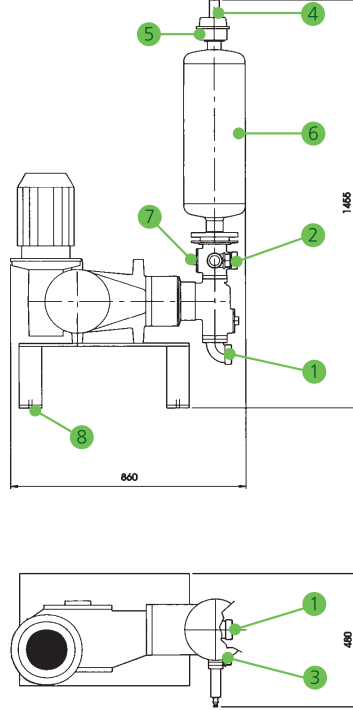


Model	Capacity [m³/h]	Pressure [bar]	Piston (action) [n°]	Piston [n°]	Piston Ø [mm]	Stroke [mm]	Frequency [1/min.]	Electric motor
DM/2D-FC	0 - 12	12	2	2	100	80	82,5/0	con inverter
DM/1D	4.0	12	2	1	100	80	51	-
DM/1D/S	5.0	12	2	1	100	80	72	-
DM/1S	2.5	12	1	1	100	80	72	-
DM/046-70	1.2	12	1	1	70	70	72	-

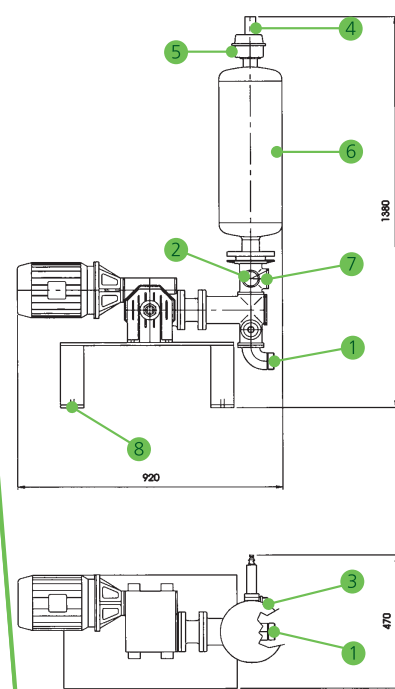
DM/1D



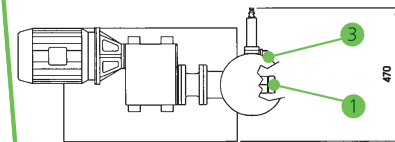
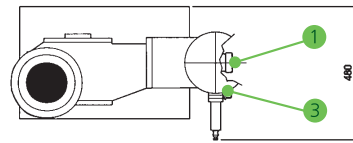
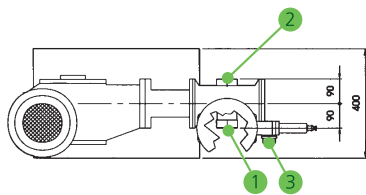
DM/1S



DM/046-70



DM/1D/S



Legend:

1. Suction
2. Discharge
- 2a. Add. discharge
3. Press. Safety valve
4. Press. gauge (0-25 bar)
5. Press. switch (5-15 bar)
6. Press dumper
7. Inspection port
8. Fastening holes
9. Frequency converter

Electric motor Power [kW]	Electric motor speed [rpm]	Length [mm]	Width [mm]	Height [mm]	Weight [Kg]	Inlet conn.	Outlet conn.	Safety valve conn.
4	1450	1060	950	1440	350	FL.S.O. DN-65	FL.S.O. DN-65	1 1/2" GAS (M)
3.0	1450	1110	420	1480	160	2 1/2" GAS (F)	2 1/2" GAS (M)	1 1/2" GAS (M)
4.0	1450	1115	420	1480	174	2 1/2" GAS (F)	2 1/2" GAS (M)	1 1/2" GAS (M)
3.0	1450	860	480	1455	140	2 " GAS (F)	2 " GAS (M)	1 1/2" GAS (M)
1.5	1450	890	400	1380	60	2 " GAS (F)	2 " GAS (M)	1 1/2" GAS (M)

DIEMME

FILTRATION

SALES AGENT'S
STAMP

DIEMME S.p.A. reserves the right to bring any alteration at any time which is deemed to be necessary in order to improve its production

DIEMME S.p.A.
Via Bedazzo, 19 - 48022 Lugo (RA) - Italia
Tel. +39 0545 20611 - Fax +39 0545 30358

www.diemme-spa.com - filterdiv@diemme-spa.com